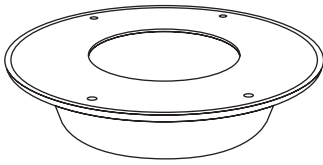
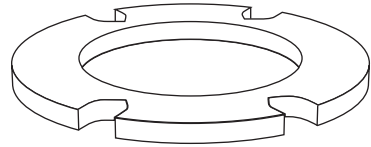


**AMA-16 / AMA-18
AMA-18IP / AMA-24**

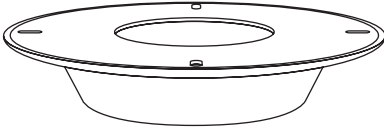


AMA-16

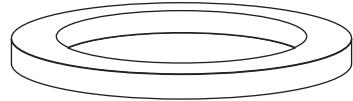


x4

x1

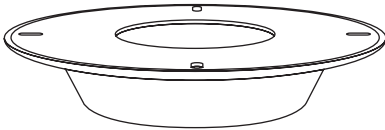
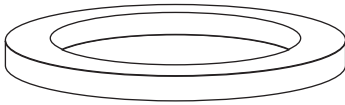


AMA-18

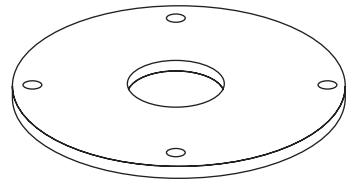


x4

x1



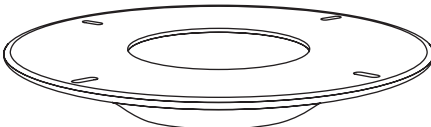
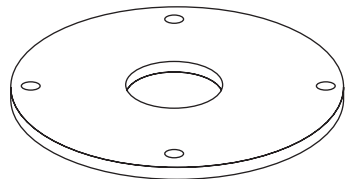
AMA-18IP



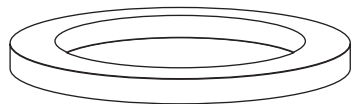
x4

x1

NOTE! The AMA-24 is intended for non-planning hulls only. These are not to be used in applications (i.e. buggy tops and tuna towers) where the antenna will experience extreme g-forces. If you have a planning hull contact PYI for an aluminum reinforced mount.

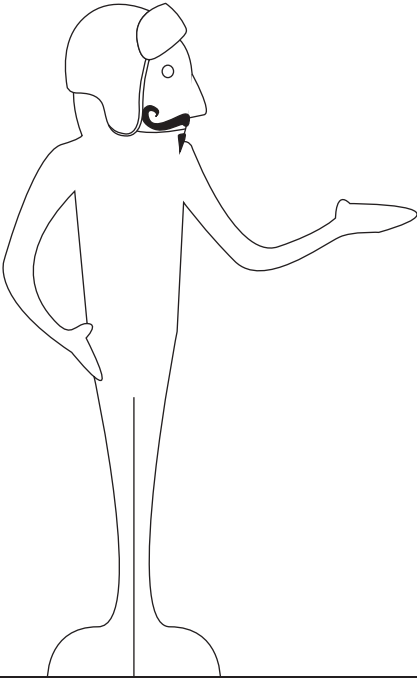


AMA-24

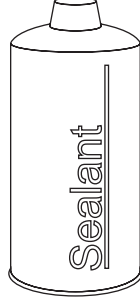


x4

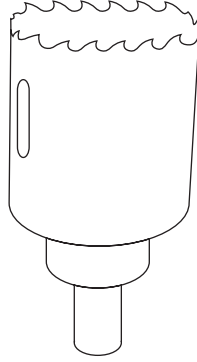
x1



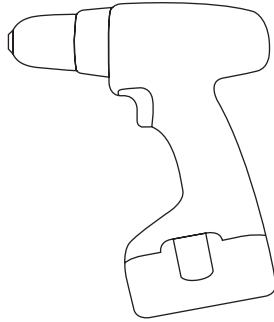
1/4" = 6mm

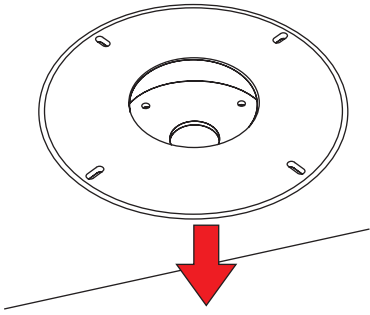
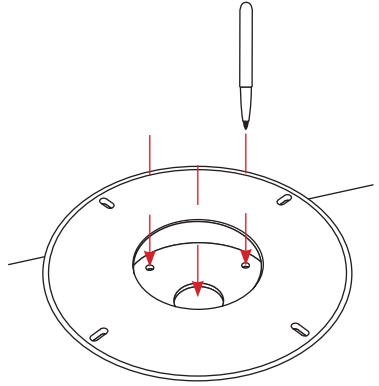
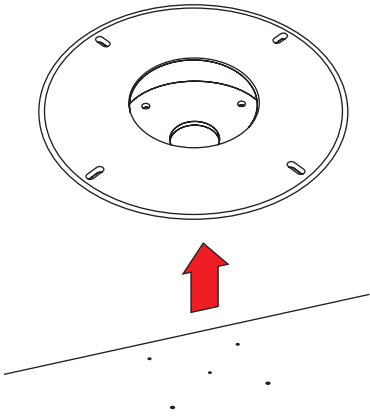
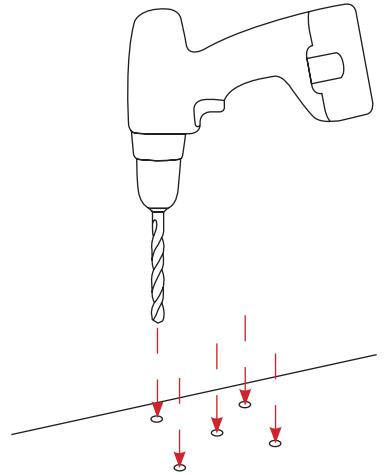
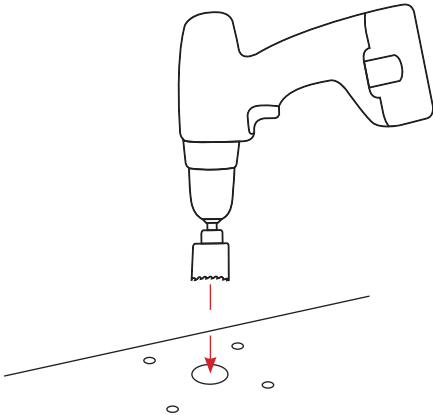
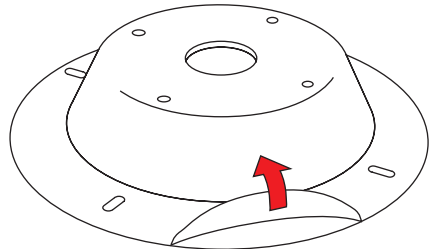


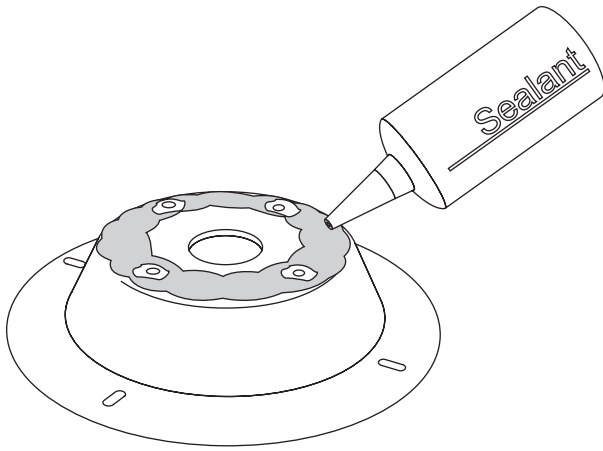
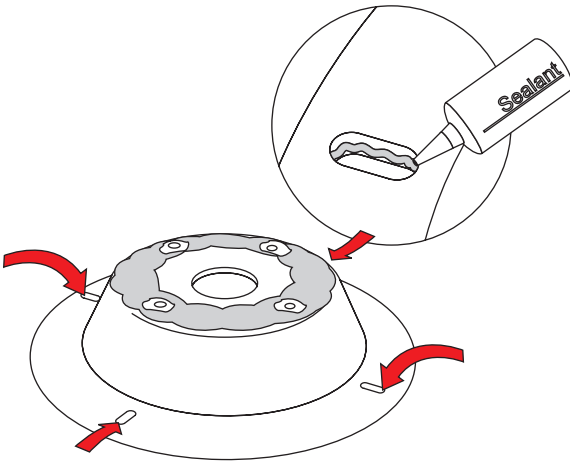
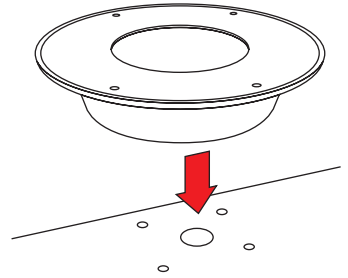
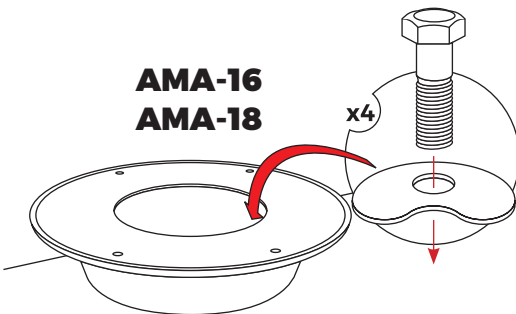
3M 4000 or equivalent



1.5" - 2" = 38mm-50mm



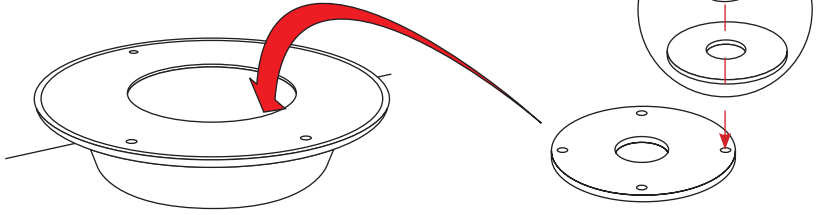
1**2****3****4****5****6**

7**8****9****10A**

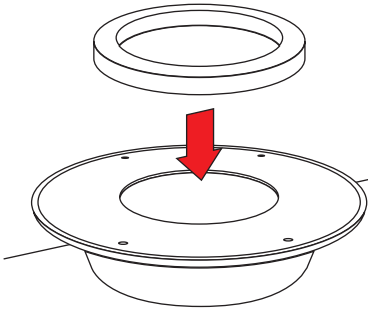
Do not over tighten the four bolts when mounting satdome mount to surface! Be sure to use a large washer to help spread the load.

10B

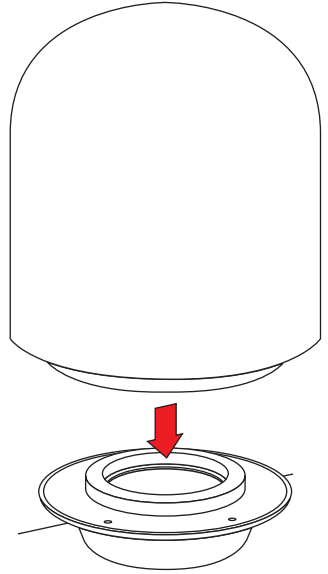
AMA-18IP
AMA-24



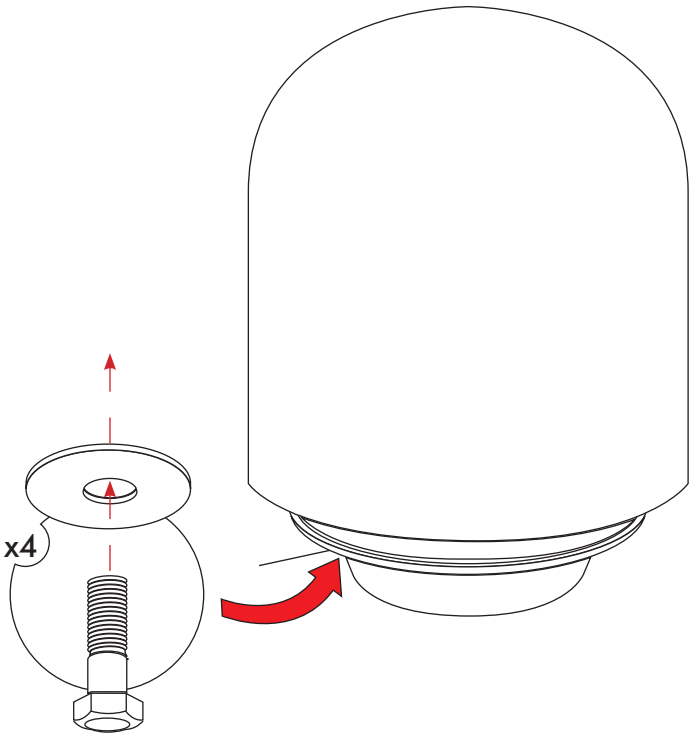
11

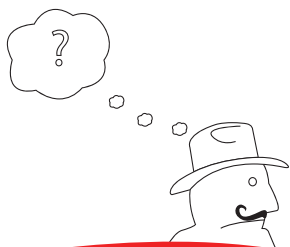


12



13





North American Office

12532 Beverly Park Road,
Lynnwood, WA 98087
Tel: 800-523-7558
Fax: 425-355-3661
www.seaviewglobal.com

European Office

Tel: +33 4 94 53 27 70
Fax: +33 4 94 53 26 62
ZI Du Capitou, 85 Rue Louis
Lepine, Frejus 83600 - France
www.seaviewprogress.com